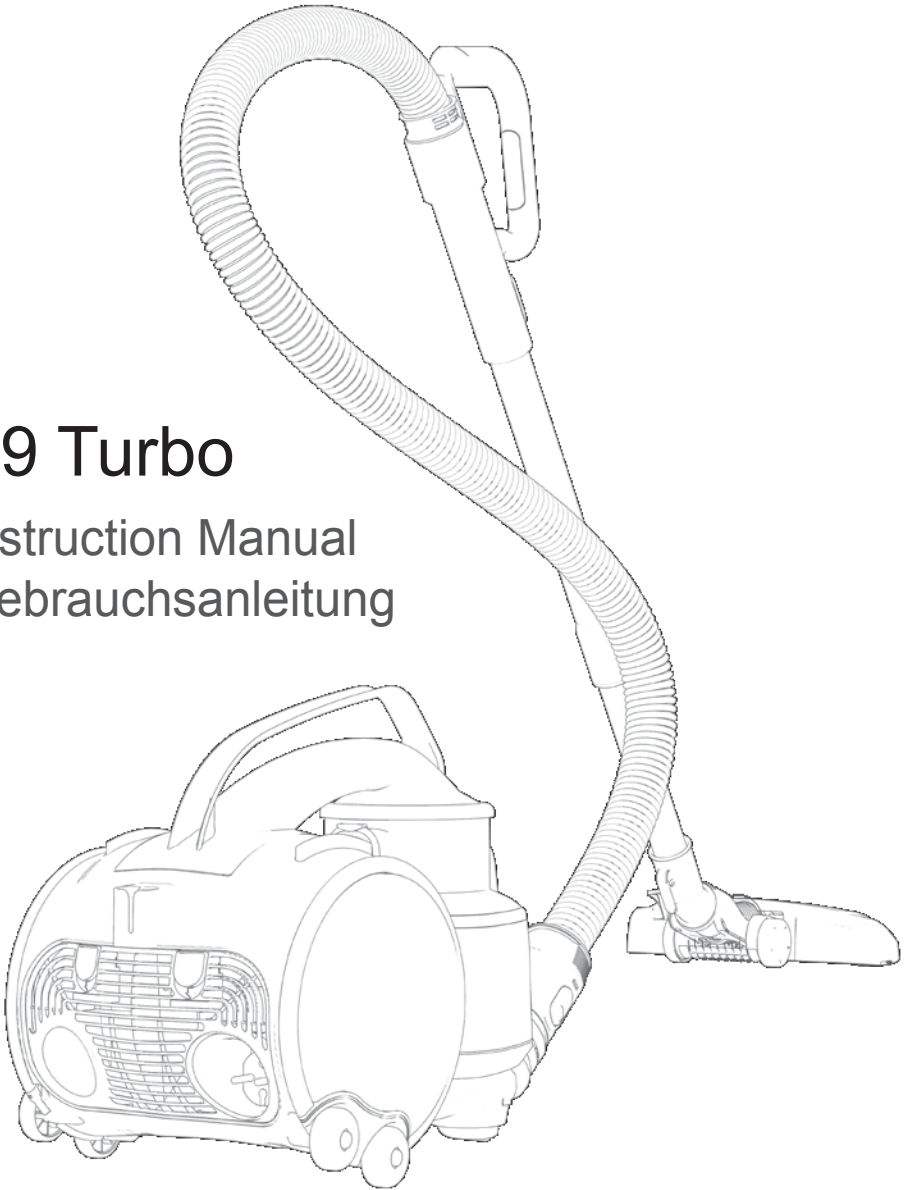




# S9 Turbo

Instruction Manual  
Gebrauchsanleitung



# Contents

1. Warnings	01
2. Safety Direction	01
3. Transporting your Vacuum	03
4. Product Parameter	03
5. Components	04
6. Assembly Method	06
7. Use Instructions	08
8. Cleaning method	11
9. Daily maintenance	13
10. Troubleshooting	14

# 1. Warnings

Before using this appliance, read and follow all warnings and instructions in this manual, even if you are familiar with this product.

This appliance is not intended for use by persons (including children) with reduced physical, sensory or mental capabilities, or lack of experience and knowledge, unless they have been given supervision or instruction concerning use of the appliance by a person responsible for their safety.

Young children should be supervised to ensure that they do not play with the appliance.

## 2. Safety Direction

### 1. About This Manual

Please read this manual carefully before use, assemble the machine according to this Manual.

Please keep this manual well, if you transfer the product to a third party, please attach this manual together with the machine. Any operation that does not comply with this manual may result in serious personal injury or damage to the product. It is not our company related if you failure to follow the instructions in this manual.

2. If you find that the power cord or plug is damaged, the power outlet is loose, the power plug does not match the socket, do not use this machine, otherwise it may cause electric shock or overheating to cause a fire.

Do not pull the power cord or the power plug, do not over-twist the power cord, Do not pinch the power cord or close the power cord when the door is closed;

When the power cord or plug is damaged, do not use the machine, please contact with our company's after-sales service department for help;

Do not touch the power plug with wet hands, which may cause electric shock;

If you do not use this machine for a long time, turn off the power, unplug the power plug;

Clean the power plug regularly, remove the dust on the plug, pay attention that this operation must first pull out plug firstly, and then wipe with a dry cloth.

3. This appliance should not be operated by children or the people who is physical and mental disabled or lack of relevant experience and knowledge, unless under the guidance and supervision of the people who could be responsible for the user's safety. Keep the product and lay it on the place where can not be touched by children and the person who can not judge the dangers. The packaging bags and plastic bags of this machine should be avoided by children, or it may cause suffocation.

4. This product is suitable for indoor environment with the ordinary ground, carpet, curtains and other areas cleaning, it is forbidden to apply this product to any other surface cleaning that is not within the design. The following things are absolutely prohibited:
01. Hair, fingers and other parts of the body, should not touch the internal parts which might cause electric shock or damage;
  02. Clothes, other parts of the clothes (such as ties, scarves, etc.) may be pulled into the machine to cause danger;
  03. Extinguish soot, burning cigarette butts or matches may cause a fire;
  04. Sharp objects, such as glass fragments, pins, paper clips, etc., these objects may damage the filter;
  05. Never use in the presence of explosive liquids or vapors;
  06. Never vacuum inflammable or poisonous liquids such as petrol, copier toner or other volatile substances.
  07. A large quantity of gypsum, cement, large paper, etc. these objects may block the filter which needs promptly clean;
  08. Do not use this machine near to or on the surface of flammable, explosive objects, or it will result in the risk of fire and explosion;
  09. Do not use this product outdoors, or it may cause damage to the machine if rain or soil dust get into the unit;
  10. Do not hang or rotate any objects outside the air outlet, clean the hair, dust and other small objects in front of the air outlet, or it may cause the air outlet blockage, reduce the air flow then bring machine overheating;
  11. Do not close to the oven, fireplace and other heat sources while using and storing the machine, which will make the machine shell deformation damage;
  12. Please pay special attention while cleaning the stairs to prevent falling;
  13. Do not wet the body, or it may cause fire and electric shock due to short-circuit of the machine.
  14. The machine can not be used to clean the toner, battery powder, can not be used in dangerous places or industrial production sites; can not be used in non-floor, ordinary ground, carpet special vacuum, otherwise it will cause damage to the product, or even explosion!
  15. Do not insert the power plug into the power outlet, otherwise the product may be mistakenly connected to the power supply during the assemble process, then causing damage.
  16. Please be sure to carefully check the product and power cord before use; Do not use the machine if the machine or the power cord is damaged, or it may cause danger; Do not use any vacuum cleaner to adsorb any stains with water to avoid unnecessary personal injury and property damage.

17. Before using the product, please ensure that all the filter material has been assembled in place, the filter material can not be damaged, after cleaning the filter material must be completely dry before use, otherwise it will cause damage to the machine.

### 3. Transporting your Vacuum

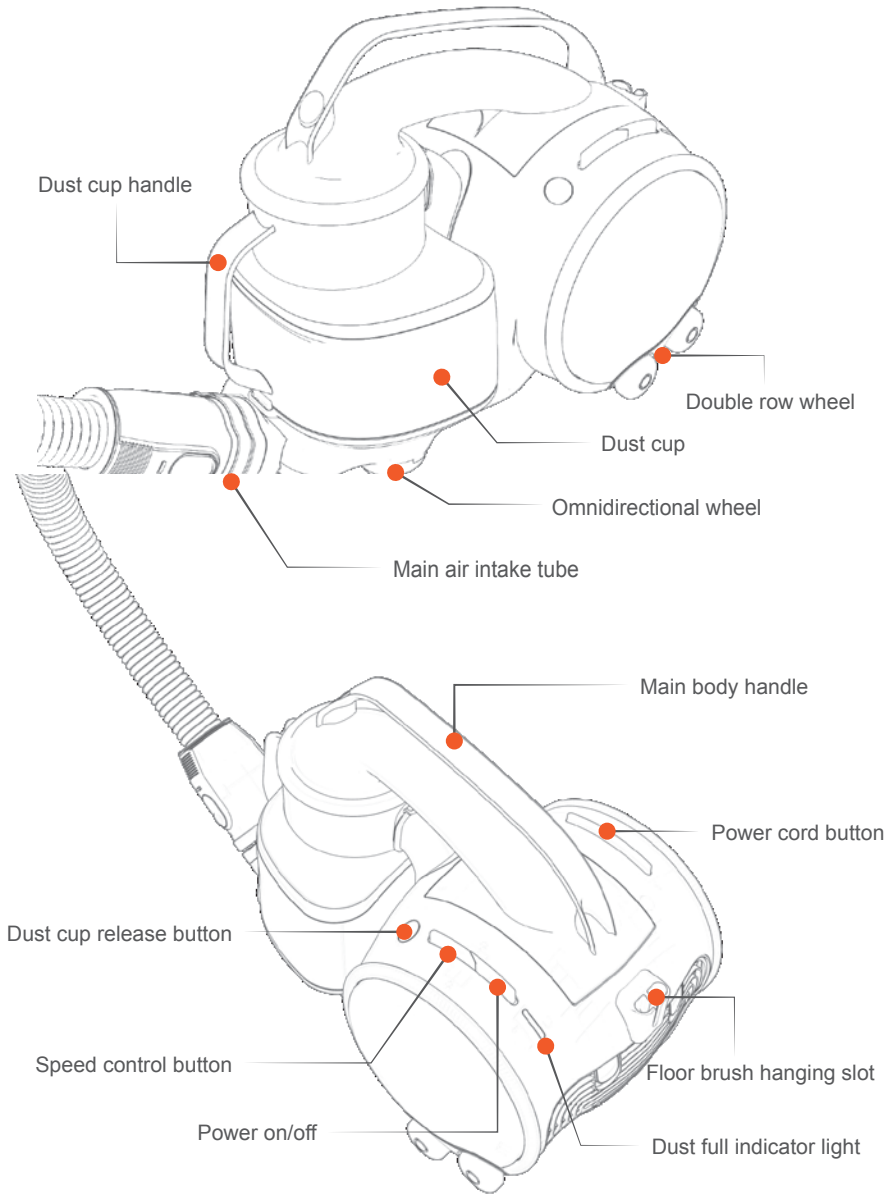
To move your vacuum cleaner from room to room, unplug the unit and carry using the carry handle.

Never pull or carry the vacuum cleaner by its cord. Never carry the vacuum cleaner by the flexible hose.

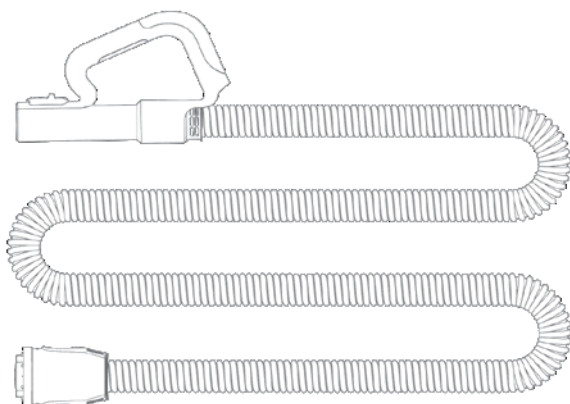
### 4. Product Parameter

Rated Voltage: 220V~50Hz	Rated Power: 850W
Power Cord Length: 5m	Dust Cup Capacity: 2.5L
EVA Pipe Length: 1.5m	Dimension: 440*277*328mm
Air Intake Port Diameter: 32mm	Net Weight: 6.8kg

# 5.Components



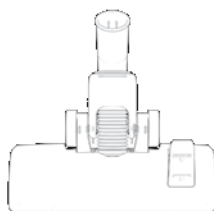
EVA Flexible Tube with Handle



Metal Telescopic Pipe



Floor Brush



Flat Nozzle



2-in-1 Flat Brush



Square Soft Brush



Accessory Rack



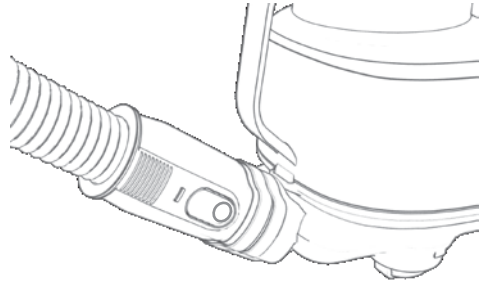
Pet brush



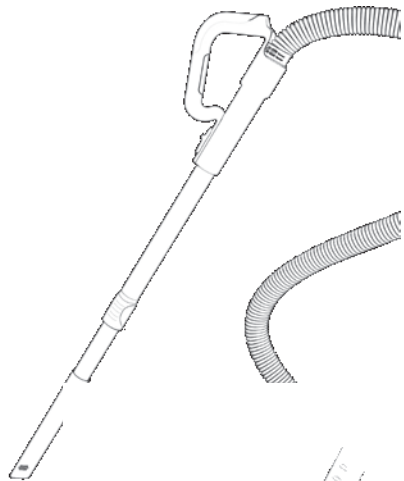
# 6. Assembly Method

Please Note: Always remove the plug from the power socket before fitting or removing accessories. Ensure all Filters are fitted, and fitted correctly before using.

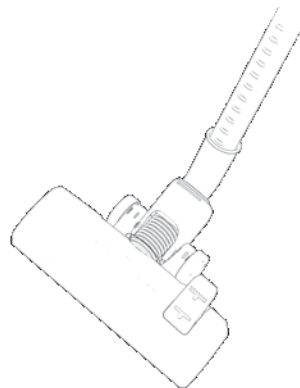
01. Insert the main air intake tube clamp with EVA hose into the suction socket, and hear the “click” lock sound, indicating that the lock is secure. When disassembling, press and hold the buttons on both sides of the main air intake tube of the hose and gently pull it out.



02. Connect one end of the tube with the handle to the metal telescopic pipe. After inserting the telescopic pipe, turn it to the left and right to confirm that the connection is firm. Pull out directly when disassembling.

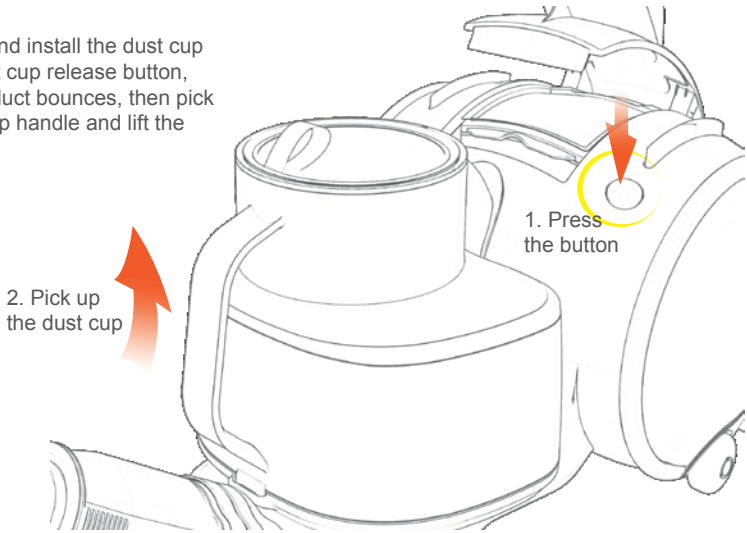


03. The other end of the telescopic pipe is connected to the floor brush (or other brush). After inserting the floor brush, rotate it to the left and right to confirm that the connection is firm. Pull out directly when disassembling.

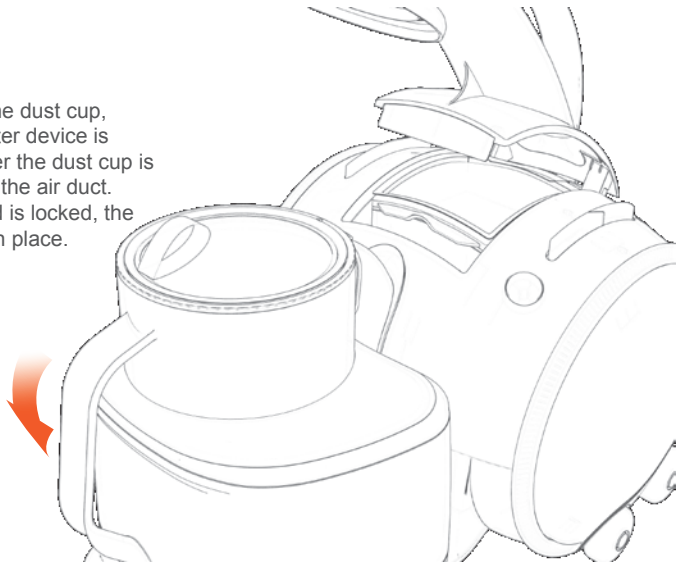




04. Remove and install the dust cup  
Press the dust cup release button,  
the upper air duct bounces, then pick  
up the dust cup handle and lift the  
dust cup up.



05. Before installing the dust cup,  
make sure that the filter device is  
installed in place. After the dust cup  
is hung, press down on the air duct.  
After the “click” sound is locked,  
the dust cup is installed in place.



# 7. Use Instructions

## 7.1 After the product is assembled

01. Select and install the plug according to your needs.
02. Pull the power cord out and adjust it to the proper length.
03. Press the power on button to start the vacuum cleaner.



### Note

Make sure all filter materials are in place before using the product. The filter material should not be damaged. The cleaned filter material must be thoroughly dried before use, otherwise it will cause damage to the product.



### Warning

Please check the product and power cord carefully before each use. If the power cord of the product is damaged, it is forbidden to use, which may cause danger. It is strictly forbidden to use a vacuum cleaner to absorb any stains with water to avoid motor burnout and short circuit, resulting in unnecessary personal injury and property damage.



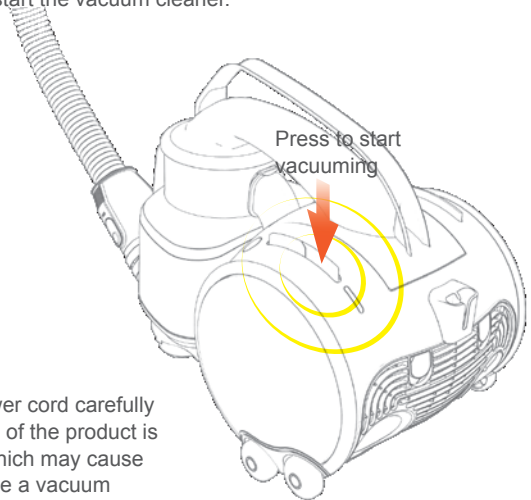
### Attention

For surfaces such as curtains that do not require too much suction, the suction can be adjusted via the air intake compensation button on the hose handle.



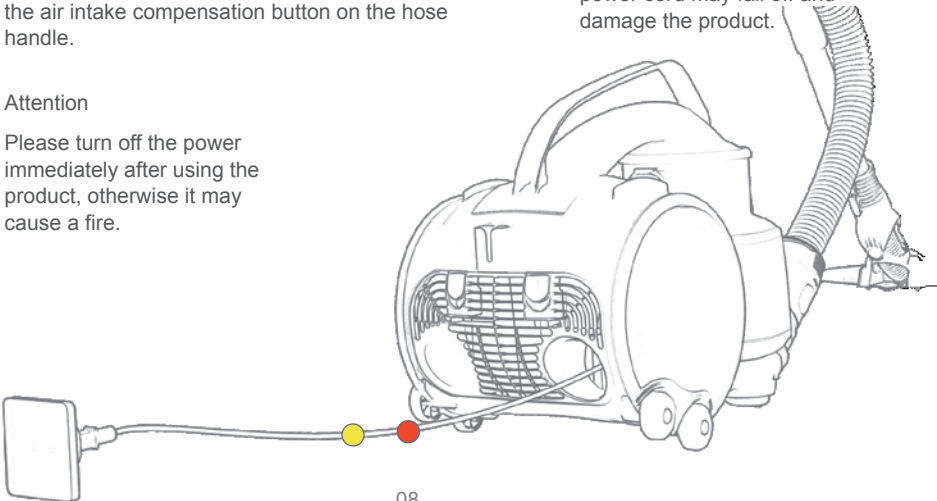
### Attention

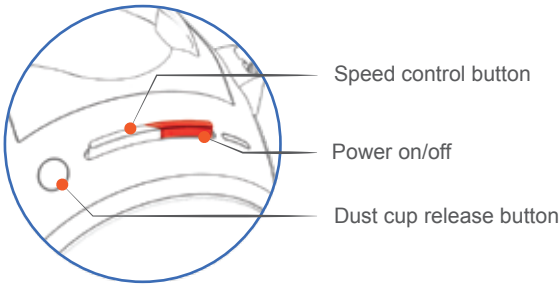
Please turn off the power immediately after using the product, otherwise it may cause a fire.



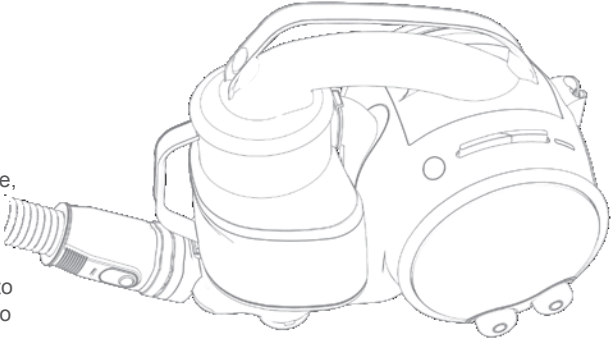
### Warning

If you see the red mark at the end of the power cord, press the power cord button to retract the power cord to the red mark invisible position. Otherwise, the power cord may fall off and damage the product.

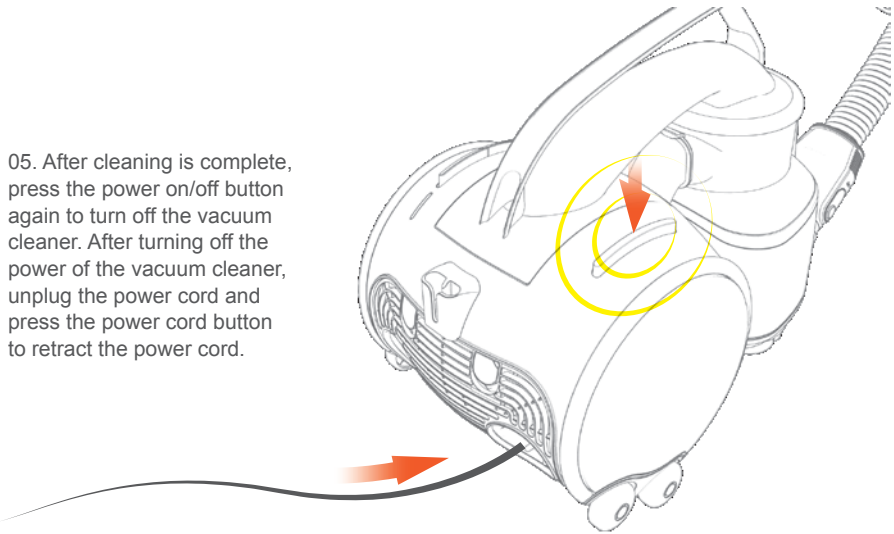




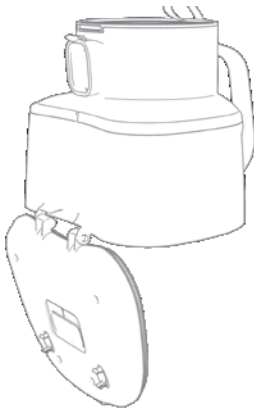
04. During the cleaning process, you can switch the suction according to your needs. Press the speed control button on the left side, the machine switches to the strong working mode, press the speed control button again, the machine returns to the silent working mode. Two gears can be adjusted.



05. After cleaning is complete, press the power on/off button again to turn off the vacuum cleaner. After turning off the power of the vacuum cleaner, unplug the power cord and press the power cord button to retract the power cord.



# 8. Cleaning method



## 8.1 Cleaning filter

This product is equipped with the following filter

01. Cyclone filter----installed inside the dust cup to separate and filter dust and hair.

Cleaning cycle: Generally, it should be cleaned at least once a month. Be sure to use it after drying.

02. Air intake filter sponge----Installed on the air intake filter to filter fine dust.

Cleaning cycle: Generally clean at least once every two months. Be sure to use it after drying.

03. Square filter sponge----installed at the rear end of the upper air duct, the upper part of the air intake of the motor.

Cleaning cycle: Generally clean at least once every four months. Be sure to use it after drying.

04. Outlet HEPA filtration----filtering at the back of the machine to ensure clean air.

Cleaning cycle: Generally clean up once every six months. Can be beaten or washed. Be sure to use it after drying.

### Pour dust

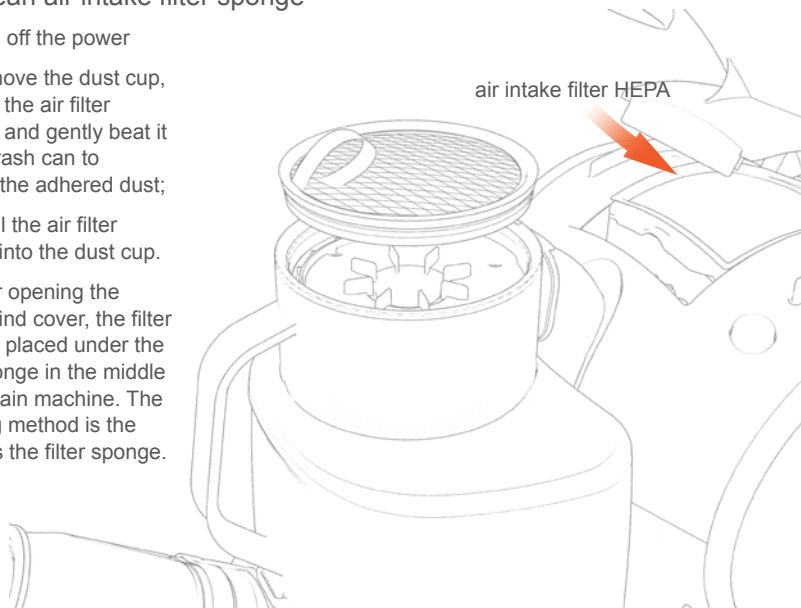
01. Turn off the power button

02. Remove the dust cup (Refer to page7)

03. Press the button of the dust cup bottom cover button, pull the button, open the dust cup bottom cover, and pour the dust.

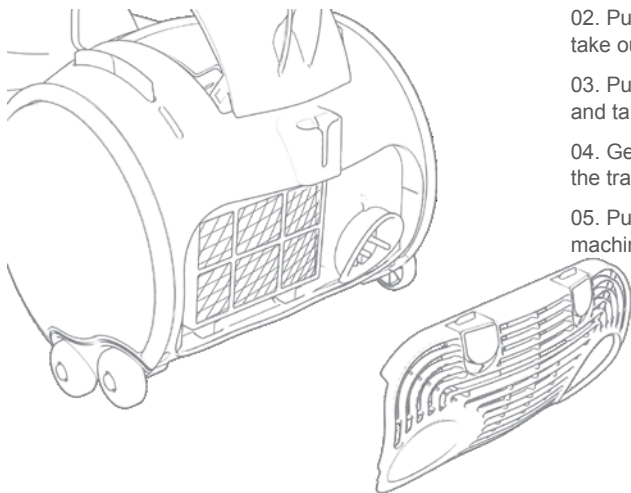
## 8.2 Clean air intake filter sponge

01. Turn off the power
02. Remove the dust cup, take out the air filter sponge, and gently beat it on the trash can to remove the adhered dust;
03. Refill the air filter sponge into the dust cup.
04. After opening the upper wind cover, the filter HEPA is placed under the filter sponge in the middle of the main machine. The cleaning method is the same as the filter sponge.



## 8.3 Clean air filter HEPA

01. Turn off the power button and retract the power cord.
02. Pull the fan button down and take out the grille.
03. Pull out the air HEPA to the left and take out HEPA.
04. Gently tap the HEPA filter on the trash can to remove dust.
05. Put the HEPA filter back into the machine and cover the grille back.





#### Note

If necessary, flush the HEPA under the faucet and do not use a brush to avoid damaging the filter material. After thoroughly drying, it can be reinstalled back to the machine.



#### Attention

After cleaning, the filter material must be thoroughly dried before reuse. Otherwise, the inside of the machine may be overheated and dangerous.



#### Attention

Make sure all filter materials are loaded into the machine before starting the vacuum cleaner and they are all in place.

## 9. Daily maintenance

### 9.1 Cleaning the machine

01. All routine maintenance and maintenance work should be performed after the vacuum plug is unplugged.

02. Always clean the garbage in the dust cup to avoid the vacuum cleaner malfunction.

03. The surface of the vacuum cleaner should not be scrubbed with gasoline or other oils. Please scrub with water or a neutral detergent.

04. Do not leave the vacuum cleaner in a place exposed to direct sunlight or moisture when it is not in use.



#### Attention

The rag should be wrung out during cleaning. Do not allow water to seep into the vacuum cleaner.

### 9.2 Cleaning the floor brush

01. Turn off the power button (Refer to turn off the power, retract the power cord);

02. Remove the floor brush;

03. Rin off the hair, animal hair, or debris that is entangled on the brush head and remove dust;

04. Reinstall the floor brush back into the machine.

# 10. Troubleshooting

If an abnormality occurs during the use of this product, please refer to the following table for reference.

Fault phenomenon	Possible reason	Treatment
Vacuum cleaner does not work	<ol style="list-style-type: none"><li>1. The power plug is not plugged in;</li><li>2. The power socket has no power;</li><li>3. The power button of the vacuum cleaner is not pressed;</li><li>4. If the use time is too long or the use is continued after the blockage, the temperature is too high, and the temperature control system automatically cuts off the power.</li></ol>	<ol style="list-style-type: none"><li>1. Unplug the plug and reinsert it into the power socket;</li><li>2. Check the home power distribution unit and check the circuit;</li><li>3. Check if the vacuum cleaner power button is pressed;</li><li>4. Turn off the power button, unplug the power cord, and wait for the vacuum cleaner to cool for 30 minutes, then clean the blockage and re-use it.</li></ol>
Weakened suction	<ol style="list-style-type: none"><li>1. EVA tube / Telescopic pipe or brush head blocked;</li><li>2. The garbage in the dust cup is too full;</li><li>3. The filter sponge is clogged.</li></ol>	<ol style="list-style-type: none"><li>1. Clear the blockage;</li><li>2. Clean up the garbage in time;</li><li>3. Clear the blockage.</li></ol>
Rotating abnormal noise	There may be foreign objects in the wind tunnel.	Stop using and clean up foreign objects immediately.

## Disposal

Protect our environment: do not dispose of electrical equipment in the dust bin.

Please return any electrical equipment that you will no longer use to the collection organizations .

This helps avoid the potential effects of incorrect disposal on the environment and human health.

This will contribute to the recycling and other forms of reutilization of electrical and electronic equipment.

Information concerning where the equipment can be disposal of can be obtained from your local authority.



## Puppy Electronic Appliances Internet Technology Beijing Co., Ltd.

Address: 7-605, 6th floor, No. 1 Building, No. 8 Courtyard, Guanghua Road, Chaoyang District, Beijing, China.

TEL.: 86-10-5741 7619

Email: [puppyoo@moomv.com](mailto:puppyoo@moomv.com)

Zip Code: 100101

Made in China